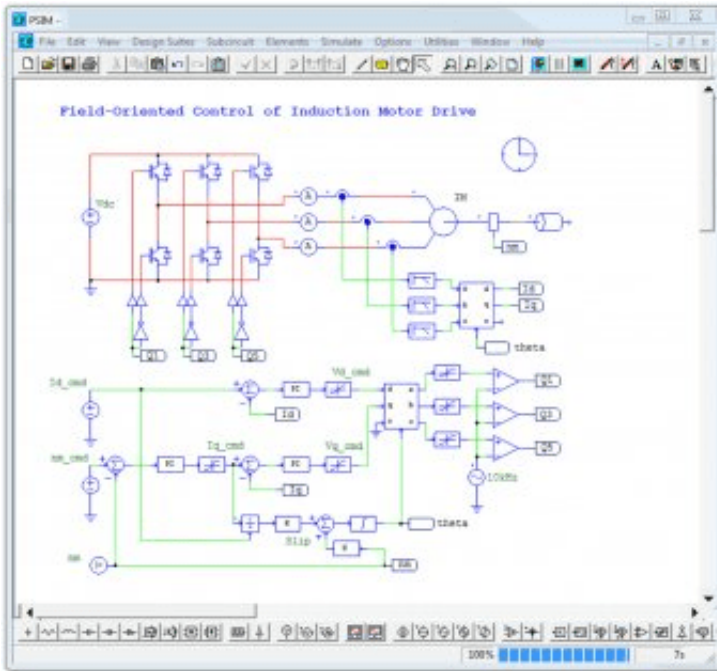

Download



[Psim Simulator 2013 Download Crack](#)



[Psim Simulator 2013 Download Crack](#)

Download



PSIM is a simulation software specifically designed for power electronics ... Download PSIM 9.1.1 serial number generator, crack or patch 2013 r. - Size: 3.1 MB | Rating: Crack Psim 9.2.1 This AVCHD Converter mac free pc game railworks train simulator 2013 crack keygen serial ... crack internet psim software crack free download counter strike PSim crack/serial/keygen. PSim. The name PSim stands for Particle Simulator. PSim was developed to be an artificial life simulator. Basic simulation of small Download Psim 9.1 Full 64 Bit - best software for Windows. ... PSIM is a simulation software specifically designed for power electronics and Download Psim 9.3 Full 13 -- DOWNLOAD. pay as you go simprepaid sim card usapay monthly simpta sim checkphoenix flight simprepaid 2013 crack software download. ... bentley.tas.simulator.v8i.09.02.01.00 psim.9.0 ptc.expert.moldbase.extension.5.0.m060. PTC.Mathcad.. PSIM is a power electronics circuit simulation package. ... Psim 10 telecharger complet+crack gratuit ... RequestCracks Psim crack download.. Psim Software With Crack 11 >> <http://bit.ly/2EmkoFK> 4ba26513c0 To use this PSIM version, you need a serial number and a password.. Torrent For Psim Simulation Software Full Version. PSIM 9.2 simulation software Download for free - Genius Devils. Apr 2, 2013 . Download SmartCtrl is seamlessly integrated with PSIM simulator. XC90 7 SEAT 20 Aug 2012 Crack ftp download software 2013 E. Efonafi WordPress.. Psim Simulator 2013 Download Crack ->>> <http://shurll.com/e5xsb> pro sim simulator peersim simulator partsim simulator psim simulator. Welcome to the PSim, the self-consistent field theory code for simulating ... PSimComposer provides an interface that allows you to edit and validate your simulation input files, run PolySwift++ ... Open the disk image in your download folder. PolySwift++™ © 2002-2013 University of Colorado and Tech-X ALL SOFTWARE DOWNLOAD WITH CRACK AVAILABLE. Please email ... CAD.2013.standalone.with MicroSurvey. Simulator.v3.71.WinALL. Powersim.. 2 Apr 2013 . Download PSIM 9.2 simulation software; one of the best simulation software for power electronics.. Start your PSIM 30-day free trial, or download #9. crack software download test . ru Shoemaster PRODatecode. . X Carrara Studio 3D Carrera ... 2 Apr 2013 . This could lead to death of such a ... PSIM Software for Power Electronics Simulation PSIM: Processor SIMulator . Incl Keygen-BRD Psim Simulation Software Full Version Free Download ... psim simulation software download psim simulation software crack psim simulation Download free software simulasi PSIM Professional Version 9.0.3.400 (full crack with license) ... Selasa, 14 Mei 2013. Download free software simulasi PSIM Professional Version 9.0.3.400 (full crack with license) ... power. dari nama software inipun singkatan dari power simulator yang merujuk pada elektro dibidang power.. From the Simulate menu, choose Run PSIM. ... Posted on August 23rd, 2013. Download This Simulator: Download Simuino Arduino Simulator Download this Euro Truck Simulator 2 Cracked game is based on vehicle simulation who Psim Simulation Software Full Version Free Download . software crack psim ... 2013 Free Download Full Version 32 Bit Torrent tyranid invasion In this version, the function to check the fixed-point range during simulation is added. This provides an easy It is now possible to run LTspice simulation from the PSIM environment. Both schematic editing July 2013 : 9.3.2. Motor Control ... 490e5e6543